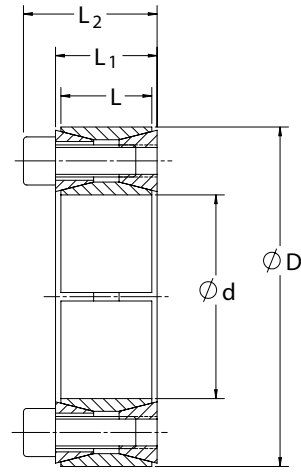




SERIES C200 LOCKING ASSEMBLY

- Original double taper, self-releasing design
- First-generation device; not self-centering
- No axial movement of mounted component during installation

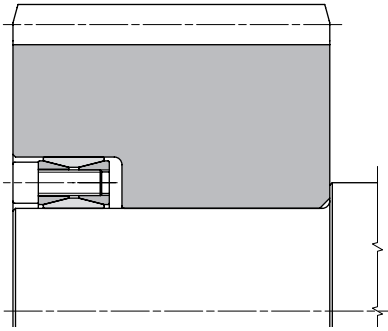


Inch

CLIMAX Part No.	Shaft Size				L	L ₁	L ₂	M _t (ft-lbs)	F _{ax} (lbs.F)	P _s (psi)	P _h (psi)	D _N *	Locking Screws			
	(in)	d	D	Qty.									Size	M _a (ft-lbs)	dB	
C200E-075	3/4	0.750	1.850	0.669	0.787	1.024	223	7,135	37,704	15,282	2.635	8	M6 x 18	10	M8	
C200E-087	7/8	0.875	1.850	0.669	0.787	1.024	260	7,135	32,318	15,282	2.635	8	M6 x 18	10	M8	
C200E-100	1	1.000	1.969	0.669	0.787	1.024	334	8,027	31,813	16,161	2.867	9	M6 x 18	10	M8	
C200E-112	1 1/8	1.125	2.165	0.669	0.787	1.024	418	8,919	31,420	16,324	3.167	10	M6 x 18	10	M8	
C200E-118	1 3/16	1.188	2.159	0.669	0.787	1.024	441	8,919	29,766	16,372	3.161	10	M6 x 18	10	M8	
C200E-125	1 1/4	1.250	2.362	0.669	0.787	1.024	557	10,703	33,934	17,957	3.604	12	M6 x 18	10	M8	
C200E-137	1 3/8	1.375	2.365	0.669	0.787	1.024	613	10,703	30,849	17,936	3.606	12	M6 x 18	10	M8	
C200E-143	1 7/16	1.438	2.559	0.669	0.787	1.024	748	12,486	34,425	19,338	4.052	14	M6 x 18	10	M8	
C200E-150	1 1/2	1.500	2.559	0.669	0.787	1.024	780	12,486	32,991	19,338	4.052	14	M6 x 18	10	M8	
C200E-162	1 5/8	1.625	2.953	0.787	0.945	1.260	1,334	19,706	40,853	22,483	5.112	12	M8 x 22	26	M10	
C200E-168	1 11/16	1.688	2.953	0.787	0.945	1.260	1,386	19,706	39,340	22,483	5.112	12	M8 x 22	26	M10	
C200E-175	1 3/4	1.750	2.953	0.787	0.945	1.260	1,437	19,706	37,935	22,483	5.112	12	M8 x 22	26	M10	
C200E-187	1 7/8	1.875	3.150	0.787	0.945	1.260	1,540	19,706	35,406	21,078	5.235	12	M8 x 22	26	M10	
C200E-193	1 15/16	1.938	3.150	0.787	0.945	1.260	1,591	19,706	34,264	21,078	5.235	12	M8 x 22	26	M10	
C200E-200	2	2.000	3.346	0.787	0.945	1.260	1,916	22,991	38,725	23,144	5.909	14	M8 x 22	26	M10	
C200E-212	2 1/8	2.125	3.346	0.787	0.945	1.260	2,036	22,991	36,447	23,144	5.909	14	M8 x 22	26	M10	
C200E-218	2 3/16	2.188	3.543	0.787	0.945	1.260	2,095	22,991	35,406	21,858	6.023	14	M8 x 22	26	M10	
C200E-225	2 1/4	2.250	3.543	0.787	0.945	1.260	2,155	22,991	34,422	21,858	6.023	14	M8 x 22	26	M10	
C200E-237	2 3/8	2.375	3.531	0.787	0.945	1.260	2,275	22,991	32,611	21,934	6.015	14	M8 x 22	26	M10	
C200E-243	2 7/16	2.438	3.740	0.787	0.945	1.260	2,669	26,275	36,314	23,666	6.710	16	M8 x 22	26	M10	
C200E-250	2 1/2	2.500	3.740	0.787	0.945	1.260	2,737	26,275	35,406	23,666	6.710	16	M8 x 22	26	M10	
C200E-256	2 9/16	2.563	3.737	0.787	0.945	1.260	2,805	26,275	34,542	23,686	6.708	16	M8 x 22	26	M10	
C200E-262	2 5/8	2.625	4.331	0.945	1.102	1.496	4,000	36,569	39,109	23,705	7.779	14	M10 x 25	51	M12	
C200E-268	2 11/16	2.688	4.331	0.945	1.102	1.496	4,095	36,569	38,199	23,705	7.779	14	M10 x 25	51	M12	
C200E-275	2 3/4	2.750	4.337	0.945	1.102	1.496	4,190	36,569	37,331	23,671	7.782	14	M10 x 25	51	M12	
C200E-287	2 7/8	2.875	4.528	0.945	1.102	1.496	4,381	36,569	35,708	22,675	7.883	14	M10 x 25	51	M12	
C200E-293	2 15/16	2.938	4.528	0.945	1.102	1.496	4,476	36,569	34,948	22,675	7.883	14	M10 x 25	51	M12	
C200E-300	3	3.000	4.724	0.945	1.102	1.496	4,571	36,569	34,220	21,730	8.000	14	M10 x 25	51	M12	
C200E-312	3 1/8	3.125	4.724	0.945	1.102	1.496	4,762	36,569	32,852	21,730	8.000	14	M10 x 25	51	M12	
C200E-325	3 1/4	3.250	4.921	0.945	1.102	1.496	5,660	41,793	36,101	23,841	8.877	16	M10 x 25	51	M12	
C200E-337	3 3/8	3.375	4.921	0.945	1.102	1.496	5,877	41,793	34,764	23,841	8.877	16	M10 x 25	51	M12	
C200E-343	3 7/16	3.438	5.118	0.945	1.102	1.496	5,986	41,793	34,131	22,924	8.978	16	M10 x 25	51	M12	
C200E-350	3 1/2	3.500	5.118	0.945	1.102	1.496	6,095	41,793	33,522	22,924	8.978	16	M10 x 25	51	M12	
C200E-375	3 3/4	3.750	5.305	0.945	1.102	1.496	7,346	47,017	35,198	24,880	9.887	18	M10 x 25	51	M12	
C200E-387	3 7/8	3.875	5.709	1.024	1.299	1.772	8,640	53,513	35,786	24,291	10.442	14	M12 x 30	89	M14	
C200E-393	3 15/16	3.938	5.709	1.024	1.299	1.772	8,779	53,513	35,218	24,291	10.442	14	M12 x 30	89	M14	
C200E-400	4	4.000	5.843	1.024	1.299	1.772	8,919	53,513	34,668	23,733	10.504	14	M12 x 30	89	M14	
C200E-418	4 3/16	4.188	6.102	1.024	1.299	1.772	9,337	53,513	33,115	22,724	10.640	14	M12 x 30	89	M14	
C200E-443	4 7/16	4.438	6.496	1.024	1.299	1.772	11,308	61,157	35,714	24,396	11.922	16	M12 x 30	89	M14	
C200E-450	4 1/2	4.500	6.496	1.024	1.299	1.772	11,467	61,157	35,218	24,396	11.922	16	M12 x 30	89	M14	
C200E-493	4 15/16	4.938	7.087	1.339	1.496	1.969	15,727	76,446	30,681	21,377	11.879	20	M12 x 35	89	M14	
C200E-500	5	5.000	7.087	1.339	1.496	1.969	15,926	76,446	30,298	21,377	11.879	20	M12 x 35	89	M14	
C200E-543	5 7/16	5.438	7.480	1.339	1.496	1.969	19,052	84,091	30,646	22,277	12.871	22	M12 x 35	89	M14	
C200E-550	5 1/2	5.500	7.492	1.339	1.496	1.969	19,271	84,091	30,298	22,242	12.878	22	M12 x 35	89	M14	
C200E-600	6	6.000	8.268	1.339	1.496	1.969	24,845	99,380	32,823	23,820	14.903	26	M12 x 35	89	M14	
C200E-643	6 7/16	6.438	8.858	1.496	1.732	2.283	30,910	115,236	31,739	23,065	15.604	22	M14 x 40	140	M16	
C200E-650	6 1/2	6.500	8.858	1.496	1.732	2.283	31,210	115,236	31,434	23,065	15.604	22	M14 x 40	140	M16	
C200E-693	6 15/16	6.938	9.252	1.496	1.732	2.283	36,339	125,712	32,129	24,091	16.818	24	M14 x 40	140	M16	
C200E-700	7	7.000	9.252	1.496	1.732	2.283	36,666	125,712	31,842	24,091	16.818	24	M14 x 40	140	M16	
C200E-750	7 1/2	7.500	9.823	1.811	2.047	2.598	45,833	146,664	28,642	21,869	16.701	28	M14 x 45	140	M16	
C200E-787	7 7/8	7.875	10.236	1.811	2.047	2.598	51,562	157,140	29,227	22,485	17.722	30	M14 x 45	140	M16	
C200E-793	7 15/16	7.938	10.504	1.811	2.047	2.598	51,971	157,140	28,997	21,912	17.882	30	M14 x 45	140	M16	
C200E-800	8	8.000	10.504	1.811	2.047	2.598	52,380	157,140	28,770	21,912	17.882	30	M14 x 45	140	M16	

All dimensions are shown in inches unless stated otherwise. All dimensions and capacities are subject to change without notice.

* Minimum hub outside diameter based on a Pressure Reduction Factor of C=1.0 and hub material with tensile yield point ≥ 45,000 psi. For details refer to page 8.



SERIES C200 LOCKING ASSEMBLY

CLIMAX Series C200 in a machined counterbore transmits torque in a spur gear. Use of Keyless Locking Devices in lieu of long press fits facilitates installation and removal with simple hand tools, both in a production environment and in the field.



Metric

CLIMAX Part No.	Shaft Size (mm)	d	D	L	L ₁	L ₂	M _t (ft-lbs)	F _{ax} (lbs.F)	P _s (psi)	P _h (psi)	D _n *	Locking Screws			
												Qty.	Size	M _a (ft-lbs)	dB
C200M-18X47	18	0.709	1.850	0.669	0.787	1.024	211	7,135	39,903	15,282	2.635	8	M6 x 18	10	M8
C200M-19X47	19	0.748	1.850	0.669	0.787	1.024	222	7,135	37,803	15,282	2.635	8	M6 x 18	10	M8
C200M-20X47	20	0.787	1.850	0.669	0.787	1.024	234	7,135	35,913	15,282	2.635	8	M6 x 18	10	M8
C200M-22X47	22	0.866	1.850	0.669	0.787	1.024	257	7,135	32,648	15,282	2.635	8	M6 x 18	10	M8
C200M-24X50	24	0.945	1.969	0.669	0.787	1.024	316	8,027	33,668	16,161	2.867	9	M6 x 18	10	M8
C200M-25X50	25	0.984	1.969	0.669	0.787	1.024	329	8,027	32,322	16,161	2.867	9	M6 x 18	10	M8
C200M-28X55	28	1.102	2.165	0.669	0.787	1.024	410	8,919	32,065	16,324	3.167	10	M6 x 18	10	M8
C200M-30X55	30	1.181	2.165	0.669	0.787	1.024	439	8,919	29,928	16,324	3.167	10	M6 x 18	10	M8
C200M-32X60	32	1.260	2.362	0.669	0.787	1.024	562	10,703	33,668	17,957	3.604	12	M6 x 18	10	M8
C200M-35X60	35	1.378	2.362	0.669	0.787	1.024	614	10,703	30,783	17,957	3.604	12	M6 x 18	10	M8
C200M-38X65	38	1.496	2.559	0.669	0.787	1.024	778	12,486	33,078	19,338	4.052	14	M6 x 18	10	M8
C200M-40X65	40	1.575	2.559	0.669	0.787	1.024	819	12,486	31,424	19,338	4.052	14	M6 x 18	10	M8
C200M-42X75	42	1.654	2.953	0.787	0.945	1.260	1,358	19,706	40,148	22,483	5.112	12	M8 x 22	26	M10
C200M-45X75	45	1.772	2.953	0.787	0.945	1.260	1,455	19,706	37,471	22,483	5.112	12	M8 x 22	26	M10
C200M-48X80	48	1.890	3.150	0.787	0.945	1.260	1,552	19,706	35,129	21,078	5.235	12	M8 x 22	26	M10
C200M-50X80	50	1.969	3.150	0.787	0.945	1.260	1,616	19,706	33,724	21,078	5.235	12	M8 x 22	26	M10
C200M-55X85	55	2.165	3.346	0.787	0.945	1.260	2,074	22,991	35,768	23,144	5.909	14	M8 x 22	26	M10
C200M-60X90	60	2.362	3.543	0.787	0.945	1.260	2,263	22,991	32,787	21,858	6.023	14	M8 x 22	26	M10
C200M-65X95	65	2.559	3.740	0.787	0.945	1.260	2,802	26,275	34,589	23,666	6.710	16	M8 x 22	26	M10
C200M-70X110	70	2.756	4.331	0.945	1.102	1.496	4,199	36,569	37,251	23,705	7.779	14	M10 x 25	51	M12
C200M-75X115	75	2.953	4.528	0.945	1.102	1.496	4,499	36,569	34,768	22,675	7.883	14	M10 x 25	51	M12
C200M-80X120	80	3.150	4.724	0.945	1.102	1.496	4,799	36,569	32,595	21,730	8.000	14	M10 x 25	51	M12
C200M-85X125	85	3.346	4.921	0.945	1.102	1.496	5,827	41,793	35,060	23,841	8.877	16	M10 x 25	51	M12
C200M-90X130	90	3.543	5.118	0.945	1.102	1.496	6,170	41,793	33,112	22,924	8.978	16	M10 x 25	51	M12
C200M-95X135	95	3.740	5.315	0.945	1.102	1.496	7,327	47,017	35,291	24,834	9.891	18	M10 x 25	51	M12
C200M-100X145	100	3.937	5.709	1.024	1.299	1.772	8,778	53,513	35,222	24,291	10.442	14	M12 x 30	89	M14
C200M-110X155	110	4.331	6.102	1.024	1.299	1.772	9,656	53,513	32,020	22,724	10.640	14	M12 x 30	89	M14
C200M-120X165	120	4.724	6.496	1.024	1.299	1.772	12,039	61,157	33,545	24,396	11.922	16	M12 x 30	89	M14
C200M-130X180	130	5.118	7.087	1.339	1.496	1.969	16,303	76,446	29,599	21,377	11.879	20	M12 x 35	89	M14
C200M-140X190	140	5.512	7.480	1.339	1.496	1.969	19,312	84,091	30,233	22,277	12.871	22	M12 x 35	89	M14
C200M-150X200	150	5.906	7.874	1.339	1.496	1.969	22,573	91,736	30,783	23,087	13.880	24	M12 x 35	89	M14
C200M-160X210	160	6.299	8.268	1.339	1.496	1.969	26,084	99,380	31,264	23,820	14.903	26	M12 x 35	89	M14
C200M-170X225	170	6.693	8.858	1.496	1.732	2.283	32,136	115,236	30,528	23,065	15.604	22	M14 x 40	140	M16
C200M-180X235	180	7.087	9.252	1.496	1.732	2.283	37,120	125,712	31,453	24,091	16.818	24	M14 x 40	140	M16
C200M-190X250	190	7.480	9.843	1.811	2.047	2.598	45,712	146,664	28,718	21,825	16.714	28	M14 x 45	140	M16
C200M-200X260	200	7.874	10.236	1.811	2.047	2.598	51,555	157,140	29,230	22,485	17.722	30	M14 x 45	140	M16
C200M-220X285	220	8.661	11.220	1.969	2.205	2.835	67,746	187,719	29,205	22,544	19.460	26	M16 x 50	218	M20
C200M-240X305	240	9.449	12.008	1.969	2.205	2.835	85,275	216,598	30,889	24,306	21.975	30	M16 x 50	218	M20
C200M-260X325	260	10.236	12.795	1.969	2.205	2.835	104,699	245,478	32,315	25,852	24.613	34	M16 x 50	218	M20
C200M-280X355	280	11.024	13.976	2.362	2.598	3.307	129,009	280,870	28,611	22,566	24.256	32	M18 x 60	299	M22
C200M-300X375	300	11.811	14.764	2.362	2.598	3.307	155,501	315,979	30,042	24,033	26.789	36	M18 x 60	299	M22
C200M-320X405	320	12.598	15.945	2.835	3.071	3.858	214,023	407,715	30,284	23,928	28.838	36	M20 x 70	428	M24
C200M-340X425	340	13.386	16.732	2.835	3.071	3.858	227,400	407,715	28,502	22,802	29.243	36	M20 x 70	428	M24
C200M-360X455	360	14.173	17.913	3.307	3.543	4.409	299,466	507,095	28,697	22,706	31.217	36	M22 x 80	575	M27
C200M-380X475	380	14.961	18.701	3.307	3.543	4.409	316,103	507,095	27,187	21,750	31.686	36	M22 x 80	575	M27
C200M-400X495	400	15.748	19.488	3.307	3.543	4.409	332,740	507,095	25,828	20,871	32.199	36	M22 x 80	575	M27

All dimensions are shown in inches unless stated otherwise. All dimensions and capacities are subject to change without notice.

* Minimum hub outside diameter based on a Pressure Reduction Factor of C=1.0 and hub material with tensile yield point ≥ 45,000 psi. For details refer to page 8.