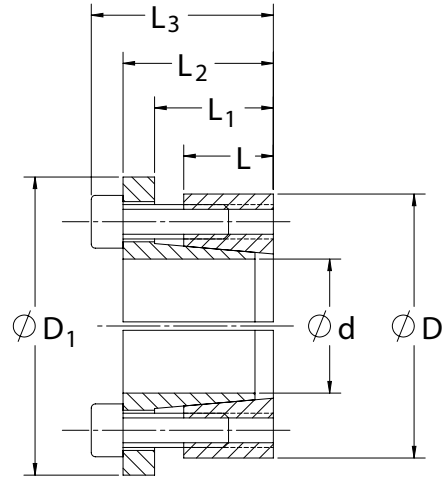




SERIES C193 LOCKING ASSEMBLY

- Single taper, compact design for smaller shaft diameters
- Self-centering for excellent concentricity
- No axial movement of mounted component during installation

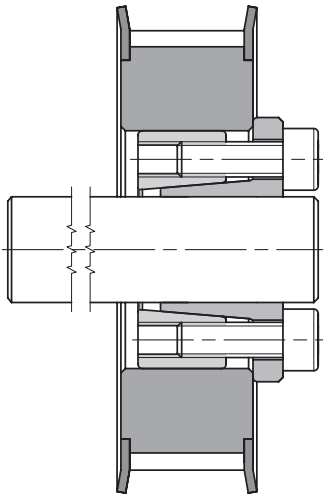


Inch

CLIMAX Part No.	Shaft Size (in)	d	D	D ₁	L	L ₁	L ₂	L ₃	M _t (in-lbs)	F _{ax} (lbs.F)	P _s (psi)	P _h (psi)	D _n *	Locking Screws		
														Qty.	Size	M _a (in-lbs)
C193E-025	1/4	0.2500	0.8125	0.9375	0.394	0.516	0.650	0.807	185	1,479	39,820	12,252	1.074	3	M4 x 12	40
C193E-031	5/16	0.3125	0.8750	1.0000	0.394	0.516	0.650	0.807	257	1,643	35,396	12,641	1.168	3	M4 x 12	44
C193E-037	3/8	0.3750	0.9375	1.0625	0.394	0.516	0.650	0.807	308	1,643	29,496	11,799	1.226	3	M4 x 12	44
C193E-050	1/2	0.5000	1.0625	1.1875	0.394	0.516	0.650	0.807	548	2,191	29,496	13,881	1.462	4	M4 x 12	44
C193E-062	5/8	0.6250	1.1875	1.3125	0.472	0.594	0.807	0.964	1,027	3,286	29,546	15,551	1.703	6	M4 x 14	44
C193E-075	3/4	0.7500	1.3125	1.4375	0.472	0.594	0.807	0.964	1,232	3,286	24,622	14,070	1.814	6	M4 x 14	44
C193E-087	7/8	0.8750	1.5625	1.7500	0.591	0.754	0.984	1.181	2,309	5,277	27,070	15,159	2.219	6	M5 x 18	89
C193E-100	1	1.0000	1.6875	1.8750	0.591	0.754	0.984	1.181	3,518	7,037	31,582	18,715	2.627	8	M5 x 18	89
C193E-112	1 1/8	1.1250	1.8750	2.0000	0.669	0.829	1.102	1.299	4,453	7,916	27,900	16,740	2.771	9	M5 x 18	89
C193E-118	1 3/16	1.1875	1.9375	2.0625	0.669	0.829	1.102	1.299	5,222	8,796	29,368	18,000	2.960	10	M5 x 18	89
C193E-125	1 1/4	1.2500	2.0000	2.1250	0.669	0.829	1.102	1.299	5,497	8,796	27,900	17,437	3.010	10	M5 x 18	89
C193E-137	1 3/8	1.3750	2.1250	2.2500	0.669	0.829	1.102	1.299	6,047	8,796	25,364	16,412	3.115	10	M5 x 18	89

All dimensions are shown in inches unless stated otherwise. All dimensions and capacities are subject to change without notice.

* Minimum hub outside diameter based on a Pressure Reduction Factor of C=1.0 and hub material with tensile yield point \geq 45,000 psi. For details refer to page 8.



SERIES C193 LOCKING ASSEMBLY

CLIMAX Series C193 mounts an aluminum synchronous pulley on a brushless servo motor. Many of today's high performance servo and stepper drives are supplied with no keyway.



Metric

CLIMAX Part No.	Shaft Size (mm)									M _t (in-lbs)	F _{ax} (lbs.F)	P _s (psi)	P _h (psi)	D _n *	Locking Screws		
		d	D	D ₁	L	L ₁	L ₂	L ₃	Qty.						Size	M _a (in-lbs)	
C193M-6	6	0.2362	0.8125	0.9375	0.394	0.516	0.650	0.807	175	1,479	42,143	12,252	1.074	3	M4 x 12	40	
C193M-8	8	0.3150	0.8750	1.0000	0.394	0.516	0.650	0.807	259	1,643	35,119	12,641	1.168	3	M4 x 12	44	
C193M-10	10	0.3937	0.9375	1.0625	0.394	0.516	0.650	0.807	323	1,643	28,095	11,799	1.226	3	M4 x 12	44	
C193M-11	11	0.4331	1.0625	1.1875	0.394	0.516	0.650	0.807	474	2,191	34,055	13,881	1.462	4	M4 x 12	44	
C193M-12	12	0.4724	1.0625	1.1875	0.394	0.516	0.650	0.807	517	2,191	31,217	13,881	1.462	4	M4 x 12	44	
C193M-14	14	0.5512	1.1875	1.3125	0.472	0.594	0.807	0.964	906	3,286	33,504	15,551	1.703	6	M4 x 14	44	
C193M-15	15	0.5906	1.1875	1.3125	0.472	0.594	0.807	0.964	970	3,286	31,270	15,551	1.703	6	M4 x 14	44	
C193M-16	16	0.6299	1.1875	1.3125	0.472	0.594	0.807	0.964	1,035	3,286	29,316	15,551	1.703	6	M4 x 14	44	
C193M-19	19	0.7480	1.3125	1.4375	0.472	0.594	0.807	0.964	1,229	3,286	24,687	14,070	1.814	6	M4 x 14	44	
C193M-20	20	0.7874	1.5625	1.7500	0.591	0.754	0.984	1.181	2,078	5,277	30,082	15,159	2.219	6	M5 x 18	89	
C193M-22	22	0.8661	1.5625	1.7500	0.591	0.754	0.984	1.181	2,285	5,277	27,347	15,159	2.219	6	M5 x 18	89	
C193M-24	24	0.9449	1.6875	1.8750	0.591	0.754	0.984	1.181	3,324	7,037	33,424	18,715	2.627	8	M5 x 18	89	
C193M-25	25	0.9843	1.6875	1.8750	0.591	0.754	0.984	1.181	3,463	7,037	32,087	18,715	2.627	8	M5 x 18	89	
C193M-28	28	1.1024	1.8750	2.0000	0.669	0.829	1.102	1.299	4,363	7,916	28,473	16,740	2.771	9	M5 x 18	89	
C193M-30	30	1.1811	1.9375	2.0625	0.669	0.829	1.102	1.299	5,194	8,796	29,527	18,000	2.960	10	M5 x 18	89	
C193M-32	32	1.2598	2.0000	2.1250	0.669	0.829	1.102	1.299	5,541	8,796	27,682	17,437	3.010	10	M5 x 18	89	
C193M-35	35	1.3780	2.1250	2.2500	0.669	0.829	1.102	1.299	6,060	8,796	25,309	16,412	3.115	10	M5 x 18	89	

All dimensions are shown in inches unless stated otherwise. All dimensions and capacities are subject to change without notice.

* Minimum hub outside diameter based on a Pressure Reduction Factor of C=1.0 and hub material with tensile yield point ≥ 45,000 psi. For details refer to page 8.