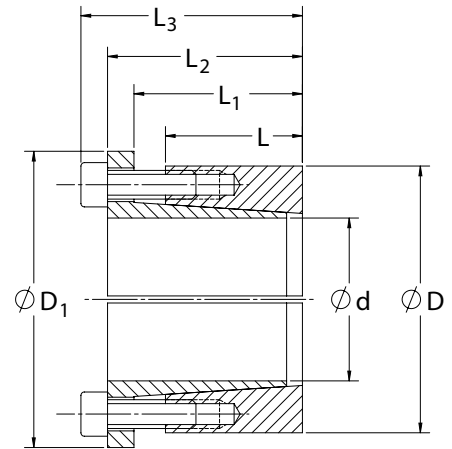




## SERIES C192 LOCKING ASSEMBLY

- Drop-in replacement for commonly used hex nut keyless bushings
- Simple installation using annular M6 Socket Head Cap Screws
- No axial movement of mounted component during installation

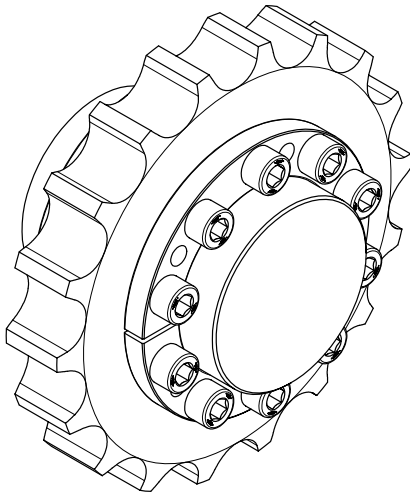


## Inch

CLIMAX Part No.	Shaft Size (in)				L	L <sub>1</sub>	L <sub>2</sub>	L <sub>3</sub>	M <sub>t</sub> (in-lbs)	F <sub>ax</sub> (lbs.F)	P <sub>s</sub> (psi)	P <sub>h</sub> (psi)	D <sub>n</sub> *	Locking Screws		
	d	D	D <sub>1</sub>	Qty.										Size	M <sub>a</sub> (in-lbs)	
C192E-062	5/8	0.625	1.500	1.693	0.551	0.750	0.984	1.220	1,708	5,471	24,827	10,348	1.896	4	M6 x 20	150
C192E-068	11/16	0.688	1.500	1.693	0.551	0.750	0.984	1.220	1,876	5,471	22,580	10,348	1.896	4	M6 x 20	150
C192E-075	3/4	0.750	1.500	1.693	0.551	0.750	0.984	1.220	2,053	5,471	20,695	10,348	1.896	4	M6 x 20	150
C192E-081	13/16	0.813	1.750	1.969	0.677	0.875	1.110	1.346	2,779	6,839	20,435	9,489	2.168	5	M6 x 20	150
C192E-087	7/8	0.875	1.750	1.969	0.677	0.875	1.110	1.346	2,992	6,839	18,973	9,489	2.168	5	M6 x 20	150
C192E-093	15/16	0.938	1.750	1.969	0.677	0.875	1.110	1.346	3,204	6,839	17,714	9,489	2.168	5	M6 x 20	150
C192E-100	1	1.000	1.750	1.969	0.677	0.875	1.110	1.346	3,416	6,839	16,605	9,489	2.168	5	M6 x 20	150
C192E-106	1 1/16	1.063	2.000	2.244	0.764	1.000	1.236	1.472	4,363	8,207	16,390	8,708	2.433	6	M6 x 20	150
C192E-112	1 1/8	1.125	2.000	2.244	0.764	1.000	1.236	1.472	4,620	8,207	15,478	8,708	2.433	6	M6 x 20	150
C192E-118	1 3/16	1.188	2.000	2.244	0.764	1.000	1.236	1.472	4,877	8,207	14,667	8,708	2.433	6	M6 x 20	150
C192E-125	1 1/4	1.250	2.000	2.244	0.764	1.000	1.236	1.472	5,133	8,207	13,933	8,708	2.433	6	M6 x 20	150
C192E-131	1 5/16	1.313	2.375	2.638	1.220	1.500	1.732	1.969	7,178	10,943	11,825	6,535	2.749	8	M6 x 20	150
C192E-137	1 3/8	1.375	2.375	2.638	1.220	1.500	1.732	1.969	7,523	10,943	11,287	6,535	2.749	8	M6 x 20	150
C192E-143	1 7/16	1.438	2.375	2.638	1.220	1.500	1.732	1.969	7,868	10,943	10,798	6,535	2.749	8	M6 x 20	150
C192E-150	1 1/2	1.500	2.375	2.638	1.220	1.500	1.732	1.969	8,205	10,943	10,348	6,535	2.749	8	M6 x 20	150
C192E-156	1 9/16	1.563	2.625	2.874	1.409	1.688	1.921	2.157	8,550	10,943	8,819	5,249	2.952	8	M6 x 20	150
C192E-162	1 5/8	1.625	2.625	2.874	1.409	1.688	1.921	2.157	8,895	10,943	8,480	5,249	2.952	8	M6 x 20	150
C192E-168	1 11/16	1.688	2.625	2.874	1.409	1.688	1.921	2.157	9,231	10,943	8,167	5,249	2.952	8	M6 x 20	150
C192E-175	1 3/4	1.750	2.625	2.874	1.409	1.688	1.921	2.157	9,577	10,943	7,875	5,249	2.952	8	M6 x 20	150
C192E-181	1 13/16	1.813	2.875	3.189	1.724	2.000	2.236	2.472	9,922	10,943	6,406	4,038	3.146	8	M6 x 20	150
C192E-187	1 7/8	1.875	2.875	3.189	1.724	2.000	2.236	2.472	10,258	10,943	6,192	4,038	3.146	8	M6 x 20	150
C192E-193	1 15/16	1.938	2.875	3.189	1.724	2.000	2.236	2.472	10,603	10,943	5,993	4,038	3.146	8	M6 x 20	150
C192E-200	2	2.000	2.875	3.189	1.724	2.000	2.236	2.472	10,940	10,943	5,805	4,038	3.146	8	M6 x 20	150

All dimensions are shown in inches unless stated otherwise. All dimensions and capacities are subject to change without notice.

\* Minimum hub outside diameter based on a Pressure Reduction Factor of C=1.0 and hub material with tensile yield point ≥ 45,000 psi. For details refer to page 8.



### SERIES C192 LOCKING ASSEMBLY

CLIMAX Series C192 installed in a roller chain sprocket. Note that unlike with many hex nut keyless bushings, the sprocket does not move axially during installation, greatly simplifying chain alignment. Our Series C192 is supplied Zinc plated from stock for added corrosion protection.



### Metric

CLIMAX Part No.	Shaft Size (mm)	d	D	D <sub>1</sub>	L	L <sub>1</sub>	L <sub>2</sub>	L <sub>3</sub>	M <sub>t</sub> (in-lbs)	F <sub>ax</sub> (lbs.F)	P <sub>s</sub> (psi)	P <sub>h</sub> (psi)	D <sub>n</sub> *	Locking Screws		
														Qty.	Size	M <sub>a</sub> (in-lbs)
C192M-15X38	15	0.591	1.496	1.693	0.551	0.750	0.984	1.220	1,620	5,471	26,283	10,375	1.892	4	M6 x 20	150
C192M-16X38	16	0.630	1.496	1.693	0.551	0.750	0.984	1.220	1,726	5,471	24,641	10,375	1.892	4	M6 x 20	150
C192M-17X38	17	0.669	1.496	1.693	0.551	0.750	0.984	1.220	1,832	5,471	23,191	10,375	1.892	4	M6 x 20	150
C192M-18X38	18	0.709	1.496	1.693	0.551	0.750	0.984	1.220	1,938	5,471	21,903	10,375	1.892	4	M6 x 20	150
C192M-19X38	19	0.748	1.496	1.693	0.551	0.750	0.984	1.220	2,045	5,471	20,750	10,375	1.892	4	M6 x 20	150
C192M-20X45	20	0.787	1.772	1.969	0.677	0.875	1.110	1.346	2,691	6,839	21,089	9,373	2.189	5	M6 x 20	150
C192M-22X45	22	0.866	1.772	1.969	0.677	0.875	1.110	1.346	2,965	6,839	19,172	9,373	2.189	5	M6 x 20	150
C192M-24X45	24	0.945	1.772	1.969	0.677	0.875	1.110	1.346	3,231	6,839	17,574	9,373	2.189	5	M6 x 20	150
C192M-25X45	25	0.984	1.772	1.969	0.677	0.875	1.110	1.346	3,363	6,839	16,871	9,373	2.189	5	M6 x 20	150
C192M-28X51	28	1.102	2.008	2.244	0.764	1.000	1.236	1.472	4,523	8,207	15,799	8,674	2.441	6	M6 x 20	150
C192M-30X51	30	1.181	2.008	2.244	0.764	1.000	1.236	1.472	4,850	8,207	14,746	8,674	2.441	6	M6 x 20	150
C192M-32X51	32	1.260	2.008	2.244	0.764	1.000	1.236	1.472	5,169	8,207	13,824	8,674	2.441	6	M6 x 20	150
C192M-34X60.5	34	1.339	2.382	2.638	1.220	1.500	1.732	1.969	7,320	10,943	11,596	6,517	2.756	8	M6 x 20	150
C192M-35X60.5	35	1.378	2.382	2.638	1.220	1.500	1.732	1.969	7,541	10,943	11,264	6,517	2.756	8	M6 x 20	150
C192M-36X60.5	36	1.417	2.382	2.638	1.220	1.500	1.732	1.969	7,753	10,943	10,951	6,517	2.756	8	M6 x 20	150
C192M-38X60.5	38	1.496	2.382	2.638	1.220	1.500	1.732	1.969	8,187	10,943	10,375	6,517	2.756	8	M6 x 20	150
C192M-40X67	40	1.575	2.638	2.874	1.409	1.688	1.921	2.157	8,621	10,943	8,751	5,224	2.964	8	M6 x 20	150
C192M-42X67	42	1.654	2.638	2.874	1.409	1.688	1.921	2.157	9,045	10,943	8,334	5,224	2.964	8	M6 x 20	150
C192M-45X73	45	1.772	2.874	3.189	1.724	2.000	2.236	2.472	9,692	10,943	6,554	4,040	3.145	8	M6 x 20	150
C192M-48X73	48	1.890	2.874	3.189	1.724	2.000	2.236	2.472	10,338	10,943	6,144	4,040	3.145	8	M6 x 20	150
C192M-50X73	50	1.969	2.874	3.189	1.724	2.000	2.236	2.472	10,771	10,943	5,898	4,040	3.145	8	M6 x 20	150

All dimensions are shown in inches unless stated otherwise. All dimensions and capacities are subject to change without notice.

\* Minimum hub outside diameter based on a **Pressure Reduction Factor** of C=1.0 and hub material with tensile yield point ≥ 45,000 psi. For details refer to page 8.